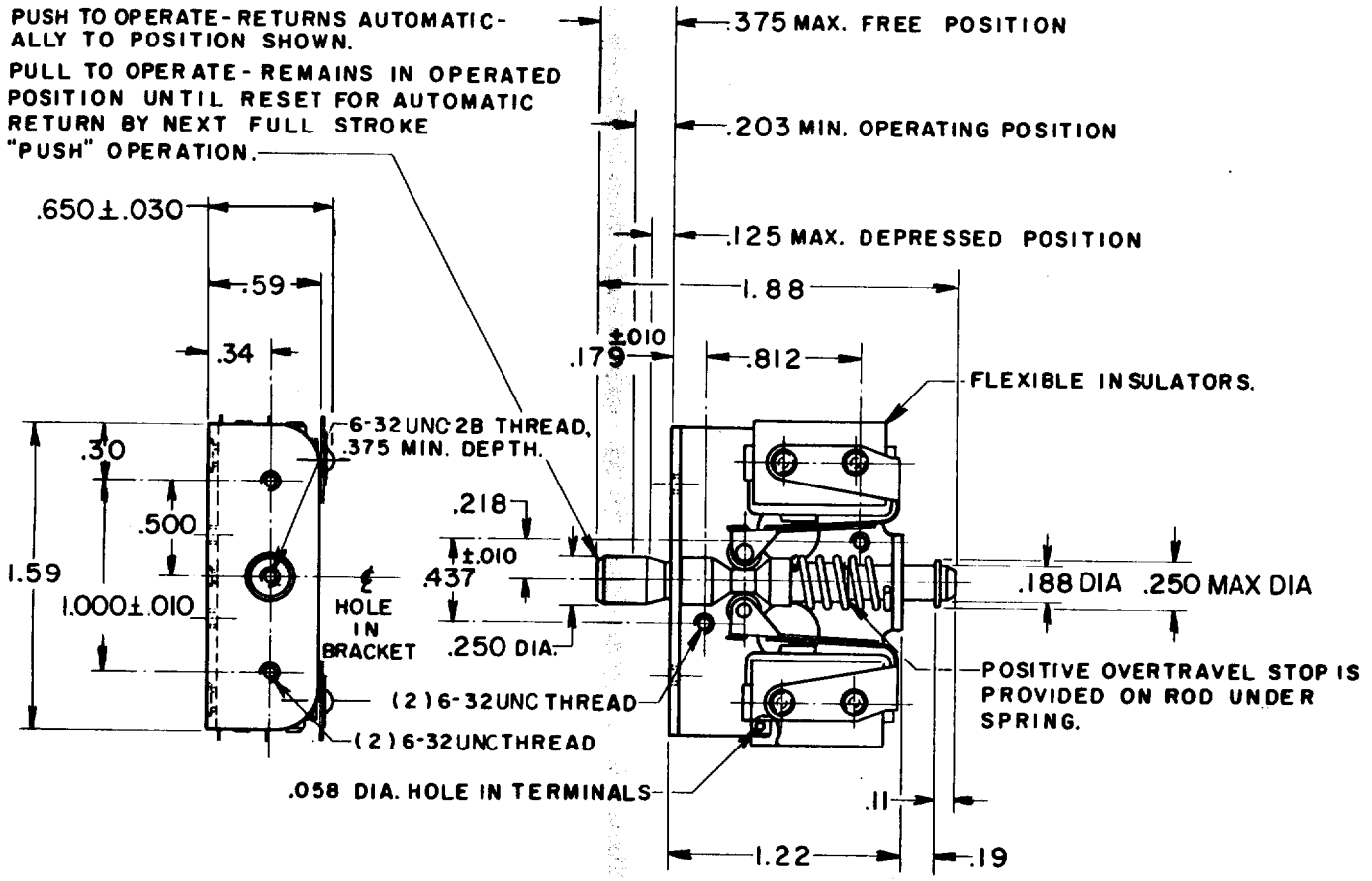


ISSUE 3  
 REPLACES  
**M 8AC1**  
 DRAWING NUMBER  
**5**  
 ISSUE  
 REVISIONS  
 A C023756  
 ORD 28 FEB 68  
 B C024376  
 RER 19 JUL 68  
 CHECK  
 JMG  
 CHECK  
 11 JUN 68  
 LSD  
 CHECK  
 28 FEB 68  
 DRAWN  
 ORD  
 FO-50378

PUSH TO OPERATE - RETURNS AUTOMATICALLY TO POSITION SHOWN.  
 PULL TO OPERATE - REMAINS IN OPERATED POSITION UNTIL RESET FOR AUTOMATIC RETURN BY NEXT FULL STROKE "PUSH" OPERATION.



**NOTE-**

- 1- UNIT INCLUDES CAT. LIST. ISMI BASIC SWITCHES. (4)
- 2- SWITCHES DO NOT NECESSARILY OPERATE SIMULTANEOUSLY.
- 3- NOTCH IN ACTUATOR ROD WILL PERMIT .035 DISPLACEMENT BETWEEN END OF ROD AND HOLE IN BRACKET.
- 4- TERMINALS ARE PLATED FOR SOLDERING.

THIS DRAWING COVERS A PROPRIETARY ITEM AND IS THE PROPERTY OF MICRO SWITCH, A DIVISION OF MINNEAPOLIS-HONEYWELL REGULATOR CO. THIS DRAWING IS NOT TO BE COPIED OR USED WITHOUT THE APPROVAL OF MICRO SWITCH.

CHARACTERISTICS	ELECTRICAL DATA	SCALE FULL
TOTAL TRAVEL .250 APPROX PUSH DIRECT. .188 APPROX PULL DIRECT.	CONTACT ARRANGEMENT SPDT (4)	DO NOT SCALE PRINT
		UNLESS OTHERWISE NOTED DIMENSIONS ARE IN INCHES <b>TOLERANCES ARE:</b> ONE PLACE (.0) $\pm .030$ TWO PLACE (.00) $\pm .015$ THREE PLACE (.000) $\pm .005$ ANGLES $\pm$
		WEIGHT